



GigRig Pedalboards Manual

CONTENTS

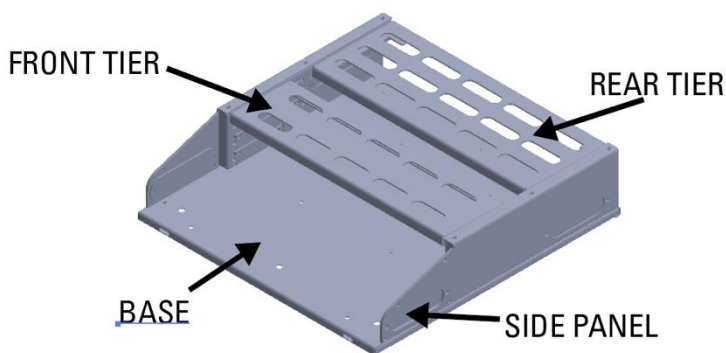
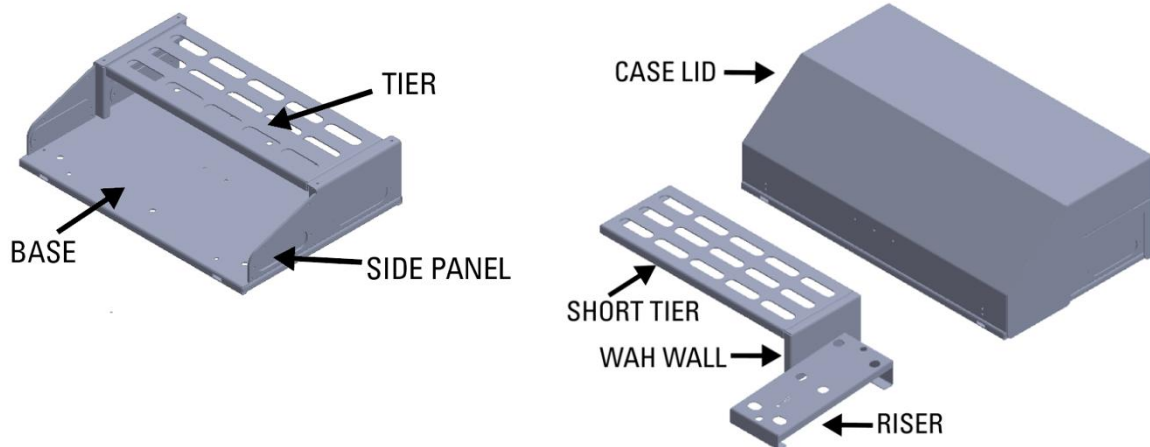
1. Introduction
2. What's included?
3. Single Tier
4. Wah Wall
5. Double Tier Pedalboard
6. Side Access Ports
7. Case Lid
8. Dimensions
9. The GigRig Pedalboard Gig Bag
10. Warranty

1. INTRODUCTION

We believe that a pedalboard should be functional, practical, tour-worthy, and of course, great to look at! We wanted to design a range of pedalboards that overcome some of the issues when used with a switching system so after a bit of inspiration and 2 years of constant refinement, we're delighted to introduce to you our range of GigRig Pedalboards.

It may seem a little unusual getting a manual for a pedalboard, but with our design there are endless possibilities. We want to give you some inspiration and get you thinking about how you can set up your board to do exactly what you need it to do.

2. WHAT'S INCLUDED?



With the exception of the Small Single-Tier unit, all pedalboards include a Wah Wall/Riser, a Case Lid, and additional feet for securing the Wah Wall.

*Soft case sold separately.

All pedalboards now ship with our 'modesty panel' fitted to the units. These are removable. Please see below for an example of how these look.

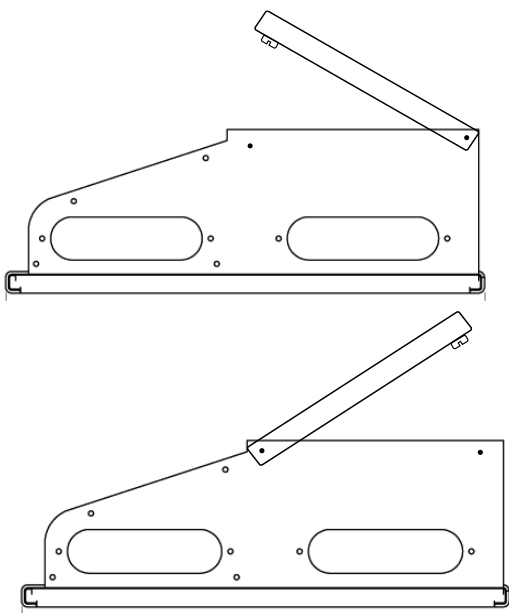
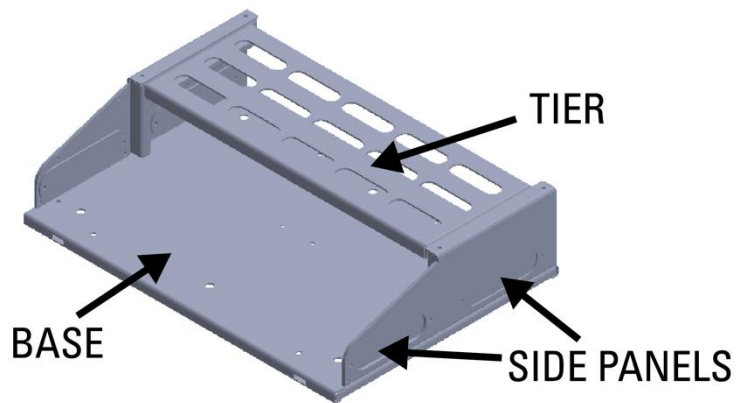


3. SINGLE TIER PEDALBOARDS



TheGigRig Single Tier pedalboards are perfect for compact setups. They consist of a single tier giving you the option of hinging from either the front or the back.

The Single Tier boards have 4 access ports, 2 on each side, with removable side panels designed for our Cinco Cinco patch bay or Three2One input selector.



The Single Tier can either hinge from the back, or the front. To change the hinge direction simply pull back on the spring latches to remove the tier, then unscrew the tier pin and relocate it to the back. It's super simple and offers flexibility never before seen in a pedalboard solution.

4. WAH WALL



The Wah Wall enables you to add a wah or an expression pedal to your pedalboard.

How to convert from a standard tier to the wah wall



Remove the standard tier and place the 10MM M3 screws (provided) into the Wah Riser.



Choose the side you want to place your wah or expression pedal and attach the Wah Riser to the pedalboard using a Phillips head screwdriver. The Wah Riser is now in place. It's time to connect the Wah Wall.



Set the pedalboard on end so you can easily access the underside of the board where you'll need to thread some screws to attach the Wah Wall.



Using the M4 20MM screws and extra feet (provided) connect the Wah Wall to the pedalboard by threading the screw through the feet and placing screw through the underside of the pedalboard. The screws will thread into the Wah Wall.



The Wah Wall is now attached. Now attach the Tier Pin either on the front or back depending on where you want to board to hinge. Its standard to hinge the tier from the back but both options are available.



Now simply attach the smaller tier (included) and you have your Wah Wall. The holes in the Wah Riser are pre drilled and fit many of the most popular way and expression pedals.

Wah Riser dimensions:
Width: 11cm / 4.33"
Length: 26cm / 10.23"

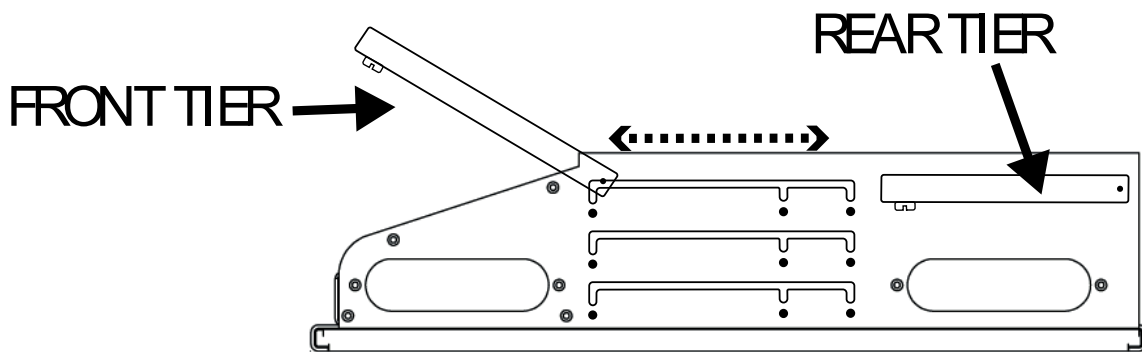
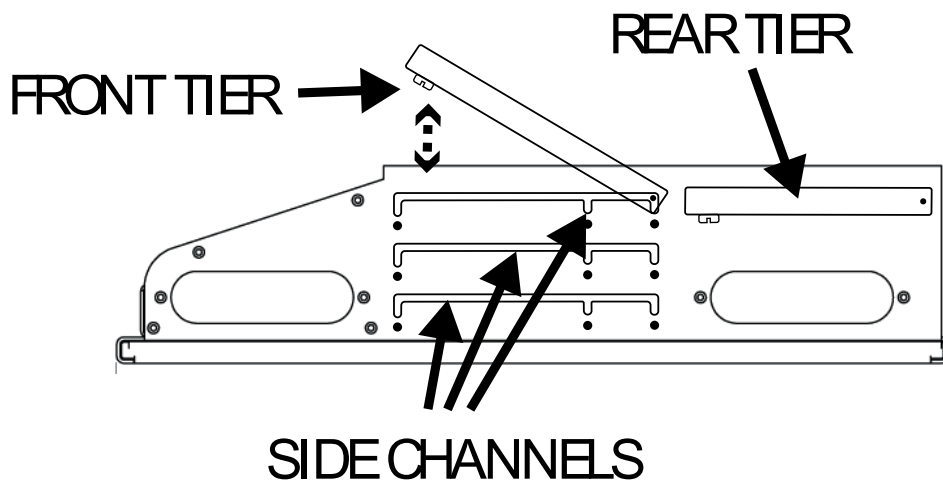
5. DOUBLE TIER PEDALBOARDS

TheGigRig Double Tier Pedalboards include all the same design features as the Single Tier boards, with the addition of a very clever front tier

The front tier can be set on the different levels giving you some options for height positioning making it easy to access pedal on both the front and rear tiers.

The front tier also includes our very own Lift/Slide system where the tier is on rails so you can lift the front edge then slide it out of the way giving you access to everything underneath the front tier without having to move the back tier

The Lift/Slide function of the front tier is retained when using the Wah Wall



6. SIDE ACCESS PORTS



The Side Access Ports on TheGigRig Pedalboards give you all the options you need to connect your input and output signals. Simply unscrew the screws holding the port plates and you can then place your Cinco Cinco patch bay, GigRig power supply, Three2One input selector, anything that you want easy access to on the side panel.

To attach other GigRig products we recommended Nano Grab Gel Tape or Pedalboard Tape, both available at our store.



Cinco Cinco



Three2One Input Selector on a Medium Single

Blanking plate hole size:
Length: 10.5cm / 4.13"
Height: 3cm / 1.18"

7. CASE LID



A welcome part of the design TheGigRig Pedalboards is the foam lined Case Lid. Each pedalboard comes with a case lid included which effectively turns your pedalboard into a travel case. Simply hook the case lid back to the back of the pedalboard and close the lid using the butterfly clasps and you're ready to go.

8. DIMENSIONS

TheGigRig Pedalboards are available in 5 different sizes

Small Single Tier

Weight: 1.35kg / 2.97lb

Dimensions: No Lid

H: 12cm / 4.72"

W: 33.1cm / 13.3"

Depth: 33.5cm / 13.18"

Dimensions: Including Case Lid

H: 19.8cm / 7.79"

W: 34cm / 13.38"

Depth: 33.5cm / 13.97"

Included in order:

1 x Board base

1 x Shell case lid

1 x Small wide tier

1 x Modesty Panel

1 x Allen Key



Medium Single Tier

Weight: 2.80kg / 6.17lb

Dimensions: No Lid

H: 12cm / 4.72"

W: 46cm / 18.11"

Depth: 33.5cm / 13.18"

Dimensions: Including Case Lid

H: 19.8cm / 7.79"

W: 47cm / 18.5"

Depth: 35.5cm / 13.97"

Included in order:

- 1 x Board base
- 1 x Shell case lid
- 1 x Full length wide tier
- 1 x Small wide tier
- 1 x Wide wah wall
- 1 x Wah riser
- 1 x Modesty Panel
- 2 x Rubber feet for underneath Wah Wall
- 2 x Screws for rubber feet
- 2 x Wah Riser screws
- 1 x Allen Key



Medium Double Tier

Weight: 3.45kg / 7.60lb

Dimensions: No Lid

H: 12cm / 4.72"

W: 46cm / 18.11"

Depth: 48.6cm / 19.1"

Dimensions: Including Case Lid

H: 19.18cm / 7.79"

W: 47cm / 18.5"

Depth: 50.5cm / 19.8"

Included in order

- 1 x Board base
- 1 x Shell Case Lid
- 1 x Medium wide tier
- 1 x Medium narrow tier
- 1 x Small narrow tier
- 1 x Narrow Wah wall
- 1 x Wah riser
- 1 x Modesty panel
- 2 x Rubber feet for underneath Wah Wall
- 2 x Screws for rubber feet
- 2 x Wah Riser screws
- 1 x Allen Key



Large Single Tier

Weight: 4.8kg / 10.58lb

Dimensions: No Lid

H: 12cm / 4.72"

W: 59.3cm / 23.34"

Depth: 33.5cm / 13.18"

Dimensions: Including Case Lid

H: 19.8cm / 7.79"

W: 60cm / 23.62"

Depth: 35.5cm / 13.97"

Included in order

- 1 x Board base
- 1 x Shell case lid
- 1 x Large wide tier
- 1 x Medium wide tier
- 1 x Wah wall
- 1 x Wah riser
- 1 x Modesty Panel

Ships with

- 2 x Rubber feet for underneath Wah Wall
- 2 x Screws for rubber feet
- 2 x Wah Riser screws
- 1 x Allen Key



Large Double Tier

Weight: 5kg / 11.02ib

Dimensions: No Lid

H: 12cm / 4.72"

W: 59.3cm / 23.3"

Depth: 48.6cm / 19.1"

Dimensions: Including Case Lid

H: 19.8cm / 7.79"

W: 60cm / 23.6"

Depth: 50.5cm / 19.8"

Included in order

- 1 x Board base
- 1 x Shell case lid
- 1 x Large wide tier
- 1 x Large narrow tier
- 1 x Medium narrow tier
- 1 x Narrow Wah wall
- 1 x Wah riser
- 1 x Modesty panel
- 2 x Rubber feet for underneath Wah Wall
- 2 x Screws for rubber feet
- 2 x Wah Riser screws
- 1 x Allen Key

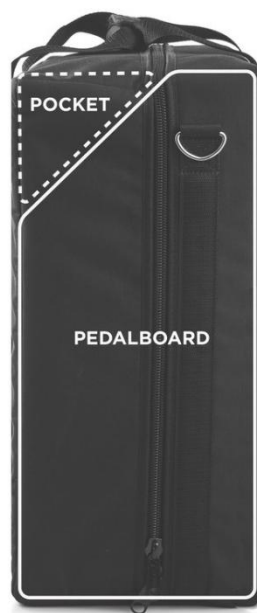


9. The GigRig Pedalboard Gig Bag

At TheGigRig, our team is made up of musicians who regularly play live, so we know firsthand the challenges of transporting gear. That's why the GigBag was a key part of our pedalboard design.

One of the biggest frustrations with many gig bags is the front pocket—while useful for storage, its bulky design makes flat-packing impossible. If you've ever packed your rig into a car or van, you know that every bit of space matters.

The TheGigRig Pedalboard GigBag solves this problem by integrating the pocket within the negative space inside the bag, allowing you to store your cables and accessories without adding extra bulk. This means you get all the storage you need while still retaining a compact, flat-pack design—perfect for efficient load-ins and travel.



WARRANTY

The GigRig warrants the pedalboard to be free from defects in material and workmanship for a period of **1 year** from the original date of purchase. For all other GigRig products, the warranty period remains **2 years** from the original date of purchase.

If the product fails within the warranty period, The GigRig will repair or, at our discretion, replace the product and cover the cost of return shipping to the original purchaser. This warranty covers defects in manufacturing discovered while using this product as recommended by The GigRig. This warranty does not cover loss or theft, nor does the coverage extend to damage caused by misuse, abuse, unauthorized modification, improper storage, lightning, or natural disasters.

Damage caused by any of the above circumstances may result in a non-warranty repair fee.

Legal: In the case of malfunction, the purchaser's sole recourse shall be repair or replacement, as described in the preceding paragraphs. The GigRig will not be held liable to any party for damages that result from the failure of this product. Damages excluded include, but are not limited to, the following: lost profits, lost savings, damage to other equipment, and incidental or consequential damages arising from the use or inability to use this product.

In no event will The GigRig be liable for more than the amount of the purchase price, not to exceed the current retail price of the product. The GigRig disclaims any other warranties, express or implied. By using the product, the user accepts all terms herein.

Disposal: Return the unit to The GigRig Ltd for disposal or use standard disposal methods in accordance with local regulations.

The GigRig is protected by copyright, moral rights, patent, and design registration

Patent Pending;
US-PCT-U525-16388
UK-25024142

This product contains small parts including Neodymium magnets:

- Keep away from children: Neodymium magnets are not toys and should be kept out of reach of children.
- Avoid swallowing: Swallowing magnets can cause choking, intestinal damage, and even death.
- Avoid deactivating medical devices: Neodymium magnets can affect pacemakers and other implanted medical devices.
- Protect eyes: Shattering magnets can launch small pieces at high speeds, so wear eye protection.
- Protect skin: Wear gloves to reduce the risk of pinching.
- Packaging contains polythene bag that could pose a risk of suffocation. To avoid danger of suffocation, keep this plastic bag away from babies and children.

Manufacturer: The GigRig Ltd, Unit 15 Whitehill Industrial Pk, Royal Wootton Bassett, SN4 7DB

Contact: support@thegigrig.com

EU Authorised Representative: EAS - Mustamäe tee 50, 10621 Tallinn, Estonia gpsr.requests@easproject.com

Manufacturer: The GigRig Ltd, Unit 15 Whitehill Industrial Pk, Royal Wootton Bassett, SN4 7DB

Authorised Representative: EAS - Mustamäe tee 50, 10621 Tallinn, Estonia

Warning: For indoor use only. Keep away from water. Keep away from Children.



**CE UK
CA RoHS**